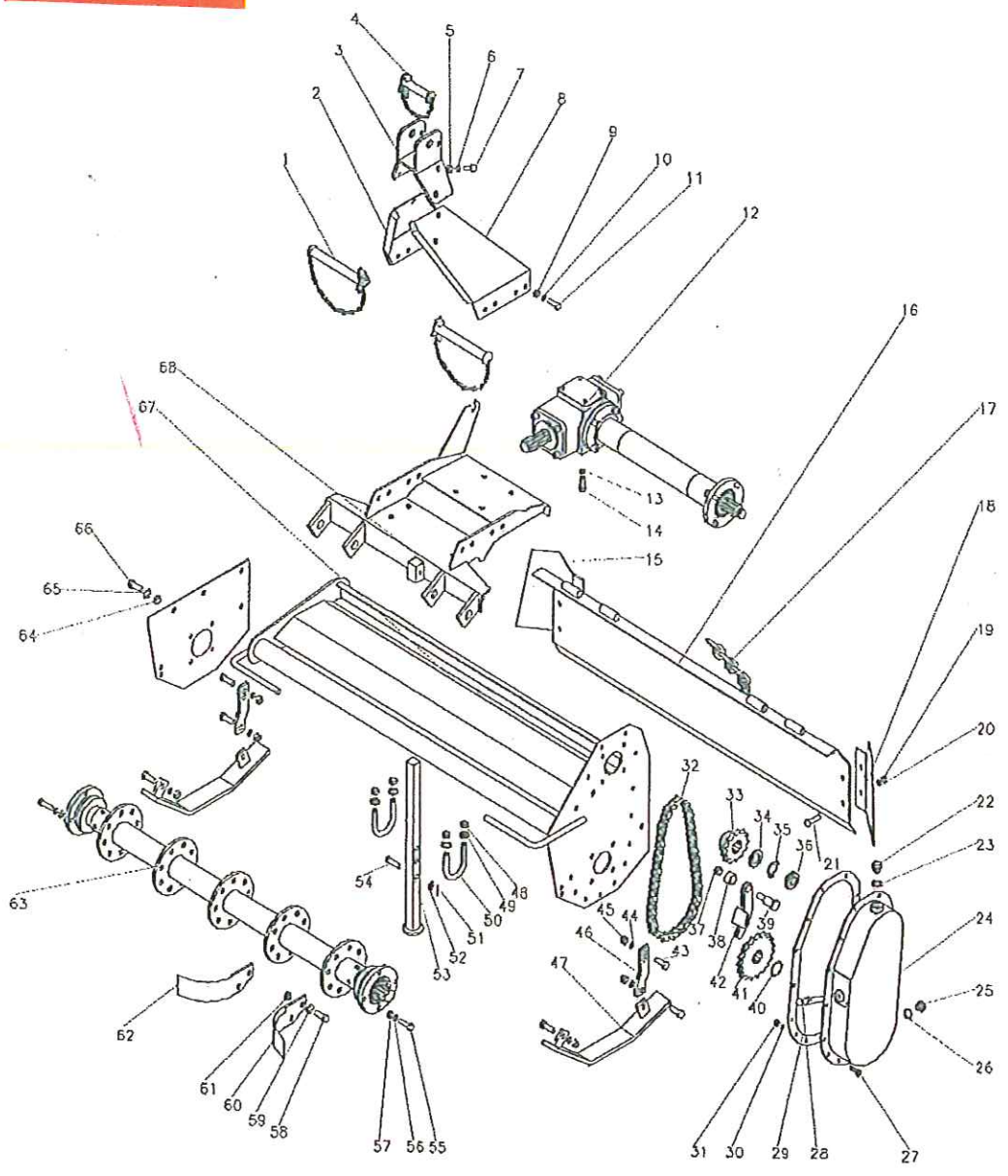


FRAISES ARRIERES

Broyeur
Tondeuse
.fr



1. ROTARY TILLER ASSEMBLY

FRAISES ARRIERES



PIECES DE RECHANGE FRAISES ARRIERES STL 95 - STL 105 - STL 115 - STL 125

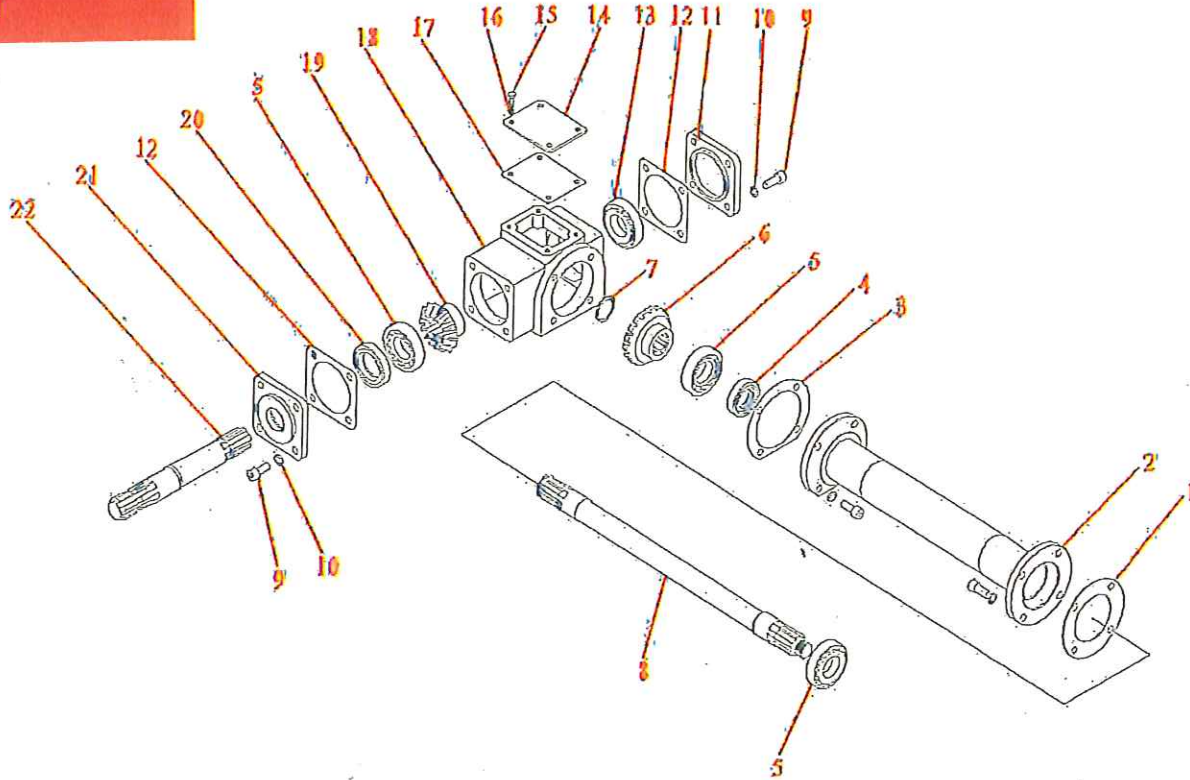
1. ROTARY TILLER ASSEMBLY

REPÈRE	REFERENCE	DESIGNATION	quantite
1	RT 105-00-012	inf. suspension pin	2
2	RT 105-00-021	suspension plate (left)	1
3	RT 105-00-022	bracket	1
4	RT 105-00-013	sup. suspension pin	1
5	GB/T6182 (M12)	locknuts M12	4
6	GB/T95 (12)	plain washer 12	4
7	GB/T5782 (M12X25)	bolts M12X25	4
8	RT 105-00-023	suspension plate (right)	1
9	GB/T6182 (M10)	locknuts M10	8
10	GB/T95 (10)	plain washer 10	8
11	GB/T5782 (M10X30)	bolts M10X30	8
12	RT 105-02-012	gearbox assembly	1
13	GB/T93 (10)	spring lock washer 10	4
14	GB/T5782 (M10X20)	bolts M10X20	4
15	RT 105-00-137	left protection plate	1
16	RT 105-00-015	tail plate	1
17	RT 105-00-106	chain	1
18	RT 105-00-136	right protection plate	1
19	GB/T6182 (M10)	locknuts M10	4
20	GB/T95 (10)	plain washer 10	4
21	GB/T5782 (M10X20)	bolts M10X20	4
22	RT 105-00-114	oil filler plug	1
23	RT 105-00-115	paper gasket	1
24	RT 105-00-014	chain gearbox	1
25	RT 105-00-114	oil drain plug	1
26	RT 105-00-115	paper gasket	1
27	GB/T5782 (M8X25)	bolts M8X25	15
28	GB/T5782 (M12X90)	adjust bolts M12X90	1
29	RT 105-00-105	paper gasket	1
30	GB/T93 (8)	spring lock washer 8	15
31	GB/T6170 (M8)	nuts M8	15
32	GB1243.1	chain	1
33	RT 105-02-101	drive chain wheel	1
34	GB/T96(24)	plain washer 24	1

REPÈRE	REFERENCE	DESIGNATION	QUANTITE
35	GB/T858 (24)	stop washer 24	1
36	GB/T812 (M24X1.5)	circular nu M24X1.5	1
37	GB/T5782 (M12)	nuts M12	1
38	RT 105-02-113	tension plate spacer	1
39	RT 10-02-114	tension plate pin	1
40	GB894.2 (34)	circlip 34	1
41	RT 105-02-102	driven chain wheel	1
42	RT 105-02-013	tension plate	1
43	GB/T5782 (M12X30)	bolts M12X30	6
44	GB/T93 (12)	spring lock washer 12	6
45	GB/T6170 (M12)	nuts M12	6
46	RT 105-00-108	connecting plate	2
47	RT 105-00-020	anti-friction plate	2
48	GB/T6170 (M12)	nuts M12	4
49	GB/T93 (12)	spring lock washer 12	4
50	RT 105-00-107	u-bolts	2
51	GB/T91 (2.5X26)	open pin 2.5X26	1
52	GB/T95 (10)	plain washer 10	1
53	RT 105-00-018	stay bar	1
54	GB/T822 (B10X40)	pin B10X40	1
55	GB/T5782 (M10X35)	bolts M10X35	8
56	GB/T93 (10)	spring lock washer 10	8
57	GB/T6170 (M10)	nuts M10	8
58	GB/T5782 (M12X30)	bolts M12X30	40
59	GB/T95 (12)	plain washer 12	40
60	RT 105-00-102	blade 1	10
61	GB/T6182 (M12)	locknuts M12	40
62	RT 105-00-101	blade 2	10
63	RT 105-03-001	blade axle assembly	1
64	GB/T610 (M12)	nuts M12	3
65	GB/T93 (12)	spring lock washer	3
66	GB/T5782 (M12X25)	bolts M12x25	3
67	RT 105-01-001	main welding assembly	1
68	RT 105-02-011	gearbox seat	1

Broyeur
Tondeuse
.fr

2. GEARBOX ASSEMBLY

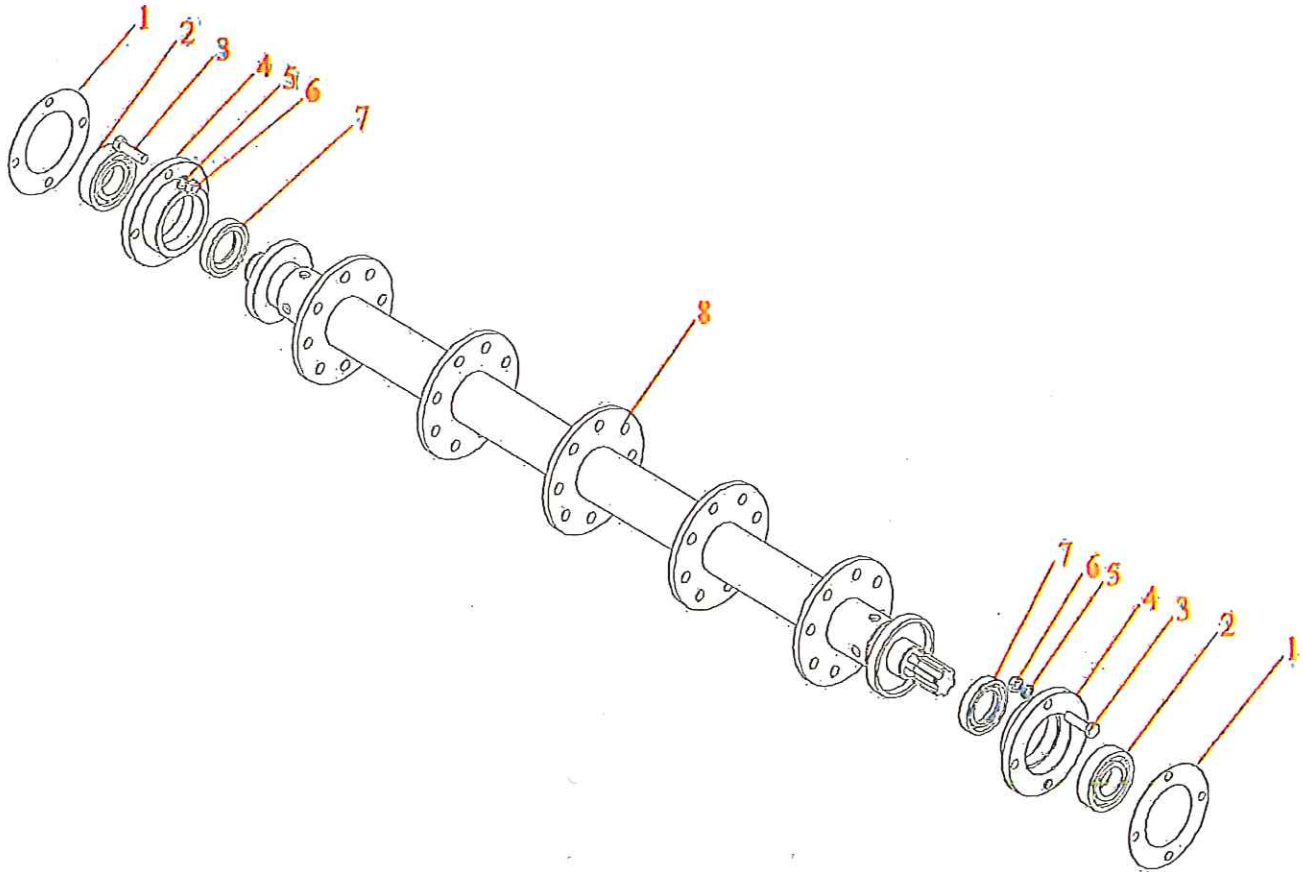


2. GEARBOX ASSEMBLY

REPERE	REFERENCE	DESIGNATION	QUANTITES
1	RT 105-00-129	paper gasket	1
2	RT 105-02-014	output shaft sleeve	1
3	RT 105-WG-101	paper gasket	1
4	GB 13871 (35X55X12)	oil seal 35X55X12	1
5	GB/T297 (30207)	bearing 30207	2
6	RT 105-WG-102	big bevel gear	1
7	GB894.2 (35)	circlip 35	1
8	RT 105-WG-103	output shaft	1
9	GB70 (M10X25)	bolts M10x25	8
10	GB/T3 (10)	spring lock washer 10	8
11	RT 105-WG-104	cover board	1
12	RT 105-WG-105	paper gasket	1
13	GB/T297 (32010)	bearing 32010	1
14	RT 105-WG-106	upper cover board	1
15	GB/T5782 (M6X15)	bolts M6X15	4
16	GB/T93 (6)	spring lock washer 6	4
17	RT 105-WG-107	paper gasket	1
18	RT 105-WG-108	gear case	1
19	RT 105-WG-109	small bevel gear	1
20	GB/T297 (30307)	bearing 30307	1
21	GB 13871 (35X65X12)	oil seal 35X65X12	1
22	RT 105-WG-110	cover board	1
23	RT 105-WG-111	input shaft	1

Broyeur
Tondeuse
.fr

3. BLADE AXLE ASSEMBLY



3. BLADE AXLE ASSEMBLY

REPERE	REFERENCE	DESIGNATION	QUANTITE
1	RT 105-00-129	paper gasket	2
2	GB/T276 (6207)	bearing 6207	2
3	GB/T5782 (M10X35)	bolts M10X35	8
4	RT 105-03-107	bearing housing	2
5	GB/T93 (10)	spring lock washer 10	8
6	GB/T6170 (M10)	nuts M10	8
7	GB 13871 (40X65X12)	oil seal 40X65X12	2
8	RT 105-03-011	blade axle	1